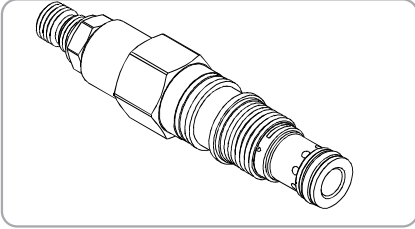
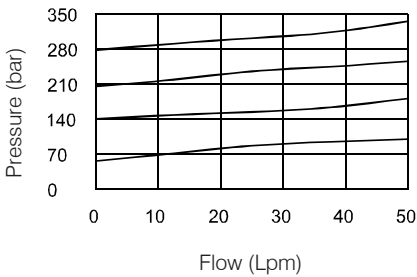


WRA SERIES CARTRIDGE TYPE RELIEF VALVES

WRA- 01 Series



Performance



Specifications

Model Number	Max. Pressure (bar)	Max. Flow (lpm)	Weight (Kg)
WRA-01	350 (5076 psi)	30(7.93 gpm)	0.13(0.29 lbs)
Fluid Type		ISO VG 32, 46, 68	
Viscosity cSt		10~400 (59~1854 SSU)	
Operating Temperature		-15~70 (-5~158°F)	
Contamination Level		ISO4406.21/19/16 NAS1638,10	

How To Order

1	2	3	4
WRA	01	- *	- *

1 Valve Series
WRA = Cartridge Type Relief Valves
(Remote Control Included)

2 Subplate Mounting Size
01 :T-163A Cavity :CST-163A

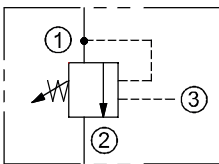
3 Adjustment Option

Order	Adjustment pressure
06	※ ~ 60 (bar)
10	※ ~ 100 (bar)
20	8 ~ 210 (bar)
40	12 ~ 420 (bar)

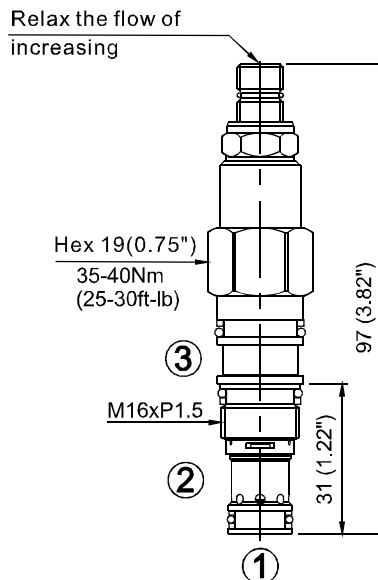
4 Adjustment Option

NONE	NONE:TOOL ADJUST	
K	K:HAND-BAR ADJUST	

Control Port (S)

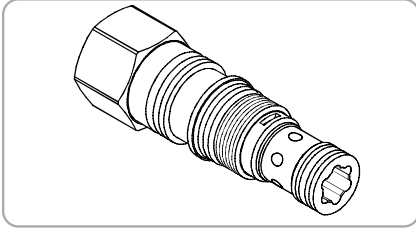


Dimensions

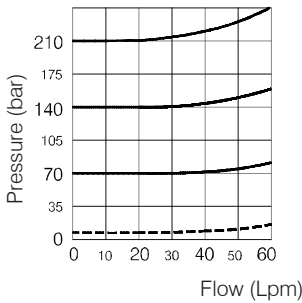


WRA SERIES CARTRIDGE TYPE RELIEF VALVES

WRA- 02 Series



Performance



Specifications

Model Number	Max. Pressure (bar)	Max. Flow (lpm)	Weight (Kg)
WRA-02	350 (5076 psi)	60(15.85 gpm)	0.18(0.40 lbs)
Fluid Type		ISO VG 32, 46, 68	
Viscosity cSt		10~400 (59~1854 SSU)	
Operating Temperature		-15~70 (-5~158°F)	
Contamination Level		ISO4406.21/19/16 NAS1638,10	

How To Order

1	2	3	4
WRA	02	- *	- *

1 Valve Series
 VRA = Cartridge Type Relief Valves
 (Remote Control Included)

2 Subplate Mounting Size
 02 :T-11A Cavity :CST-11A

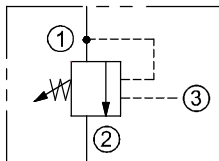
3 Adjustment Option

Order	Adjustment pressure
06	※ ~ 60 (bar)
10	※ ~ 100 (bar)
20	8 ~ 210 (bar)
40	12 ~ 420 (bar)

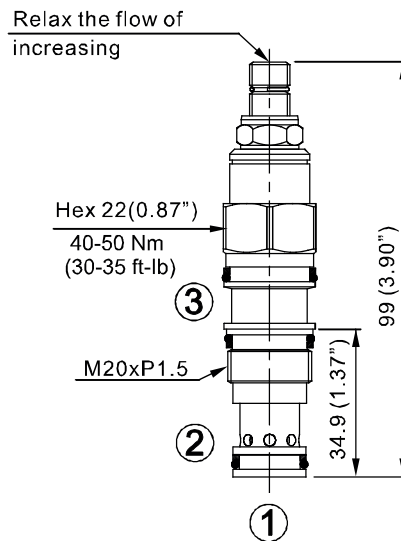
4 Adjustment Option

NONE	NONE:TOOL ADJUST	
K	K:HAND-BAR ADJUST	

Control Port (S)

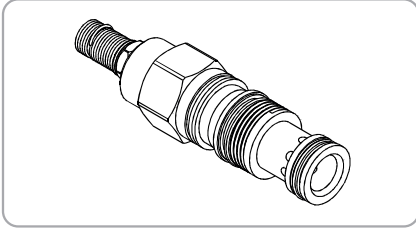


Dimensions

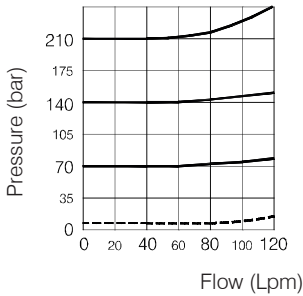


WRA SERIES CARTRIDGE TYPE RELIEF VALVES

WRA- 03 Series



Performance



Specifications

Model Number	Max. Pressure (bar)	Max. Flow (lpm)	Weight (Kg)
WRA-03	350 (5076 psi)	120(31.70 gpm)	0.3(0.66 lbs)
Fluid Type		ISO VG 32, 46, 68	
Viscosity cSt		10~400 (59~1854 SSU)	
Operating Temperature		-15~70 (-5~158°F)	
Contamination Level		ISO4406.21/19/16 NAS1638,10	

How To Order

1	2	3	4
WRA	03	- * - *	*

1 Valve Series
WRA = Cartridge Type Relief Valves
(Remote Control Included)

2 Subplate Mounting Size
03 : T-2A Cavity : CST-2A

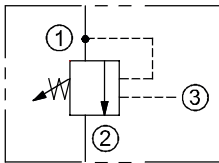
3 Adjustment Option

Order	Adjustment pressure
06	※ ~ 60 (bar)
10	※ ~ 100 (bar)
20	8 ~ 210 (bar)
40	12 ~ 420 (bar)

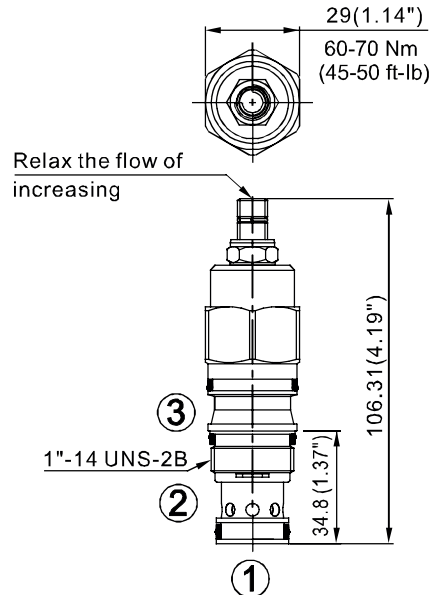
4 Adjustment Option

NONE	NONE:TOOL ADJUST	
K	K:HAND-BAR ADJUST	

Control Port (S)

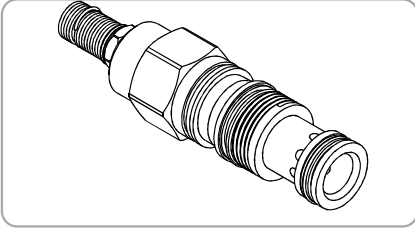


Dimensions

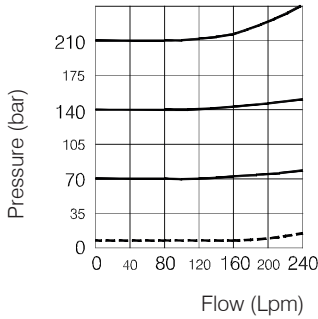


WRA SERIES CARTRIDGE TYPE RELIEF VALVES

WRA- 06 Series



Performance



Specifications

Model Number	Max. Pressure (bar)	Max. Flow (lpm)	Weight (Kg)
WRA-06	350 (5076 psi)	30(7.93 gpm)	0.13(0.29 lbs)
Fluid Type		ISO VG 32, 46, 68	
Viscosity cSt		10~400 (59~1854 SSU)	
Operating Temperature		-15~70 (-5~158°F)	
Contamination Level		ISO4406.21/19/16 NAS1638,10	

How To Order

1	2	3	4
WRA	06	- *	- *

- 1 Valve Series**
WRA = Cartridge Type Relief Valves
(Remote Control Included)

- 2 Subplate Mounting Size**
06 :T-17A Cavity :CST-17A

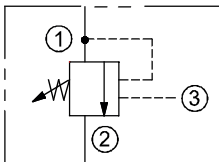
- 3 Adjustment Option**

Order	Adjustment pressure
06	※ ~ 60 (bar)
10	※ ~ 100 (bar)
20	8 ~ 210 (bar)
40	12 ~ 420 (bar)

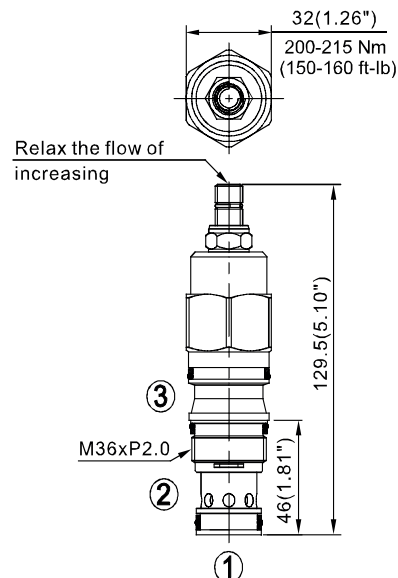
- 4 Adjustment Option**

NONE	NONE:TOOL ADJUST	
K	K:HAND-BAR ADJUST	

Control Port (S)

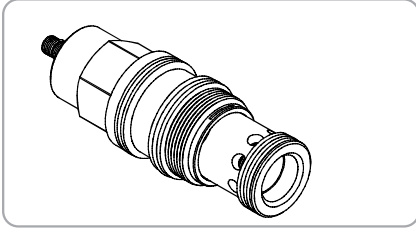


Dimensions

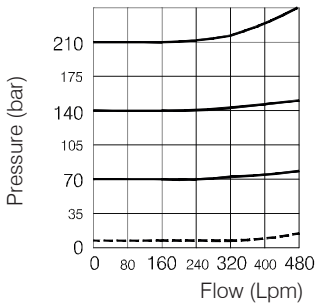


WRA SERIES CARTRIDGE TYPE RELIEF VALVES

WRA- 10 Series



Performance



Specifications

Model Number	Max. Pressure (bar)	Max. Flow (lpm)	Weight (Kg)
WRA-10	350 (5076 psi)	480(126.80 gpm)	0.45 (3.20 lbs)
Fluid Type		ISO VG 32, 46, 68	
Viscosity cSt		10~400 (59~1854 SSU)	
Operating Temperature		-15~70 (-5~158°F)	
Contamination Level		ISO4406.21/19/16 NAS1638,10	

How To Order

1	2	3	4
WRA	10	- *	- *

1 Valve Series
WRA = Cartridge Type Relief Valves
(Remote Control Included)

2 Subplate Mounting Size
10 : T-19A Cavity : CST-19A

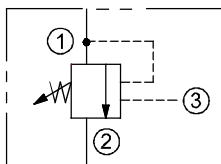
3 Adjustment Option

Order	Adjustment pressure
06	※ ~ 60 (bar)
10	※ ~ 100 (bar)
20	8 ~ 210 (bar)
40	12 ~ 420 (bar)

4 Adjustment Option

NONE	NONE:TOOL ADJUST	
K	K:HAND-BAR ADJUST	

Control Port (S)



Dimensions

